

PROJECT: _____

ITEM NO.: _____



10 H.P. heavy duty disposer is designed for continuous operation in restaurants, hotels, hospitals and cafeterias. Food waste including steak bones is quickly and efficiently removed with this labor-saving, self-cleaning, environmentally sound disposer.

10 H.P. MODEL SS-1000

SPECIFICATIONS

- GRIND CHAMBER -** Corrosion Resistant Stainless Steel
- MOUNTING -** 3/4" rubber mounting above grinding chamber isolates sound and eliminates vibration. Mounting is enclosed in chrome plated covers for sanitation and appearance.
- MOTOR -** 10 HP Induction Motor, 1725 RPMS, totally enclosed to provide protection against outside moisture. Controlled power air flow cools motor for efficiency and longer life. Built-in thermal overload protection.
- CUTTING ELEMENTS -** Stationary and rotating shredding elements made from cast nickel chrome alloy for long life and corrosion resistance, designed for reverse action grinding.
- MAIN BEARINGS -** Double-tapered Timken roller bearings provide a shock absorbing cushion.
- MOTOR SEALS -** Triple lip seal protects motor from water damage. Secondary spring-loaded oil seal provides double protection against water and loss of grease.
- FINISH -** All Stainless Steel and Chrome plated. Paint-free for lasting sanitation.
- WARRANTY -** 1 year full warranty from date of installation.



BASE DISPOSER/ELECTRICAL REQUIREMENTS

- 208 volts, 3 phase, 11.0 amps
- 230 volts, 3 phase, 13.0 amps
- 460 volts, 3 phase, 6.5 amps

NOTE: All amp ratings denote the amp draw during a grind load.

DISPOSER MOUNTING ASSEMBLIES



- #6 Collar Adapter for welding into trough, provides 6⁵/₈" opening, includes splash baffle



- #7 Collar Adapter for welding into sink, provides 6⁵/₈" opening, includes splash baffle and stopper



- Type A Sink Bowl Assembly*



- Type B Sink Bowl Assembly*



- Type C Sink Bowl Assembly*

Select Sink Bowl Assembly Size

- 12" with one adjustable water nozzle
- 15" with one adjustable water nozzle
- 18" with two adjustable water nozzles

*If using Type A, B, or C, you must specify either a 12", 15" or 18" sink bowl.

ELECTRICAL CONTROLS



- CC-202 Control Centers



- CC-101 Control Centers



- AS-101 Control Center (includes Aqua Saver)

WATER CONTROLS

- Solenoid Valve
- Syphon Breaker
- Flow Control Valve

Recommended Water Usage

Standard	Optional
10 GPM	N.A.

A COMMERCIAL DISPOSER PACKAGE INCLUDES:

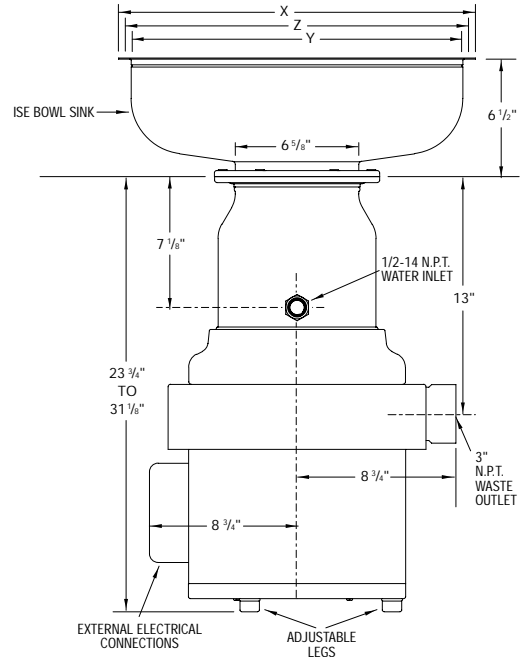
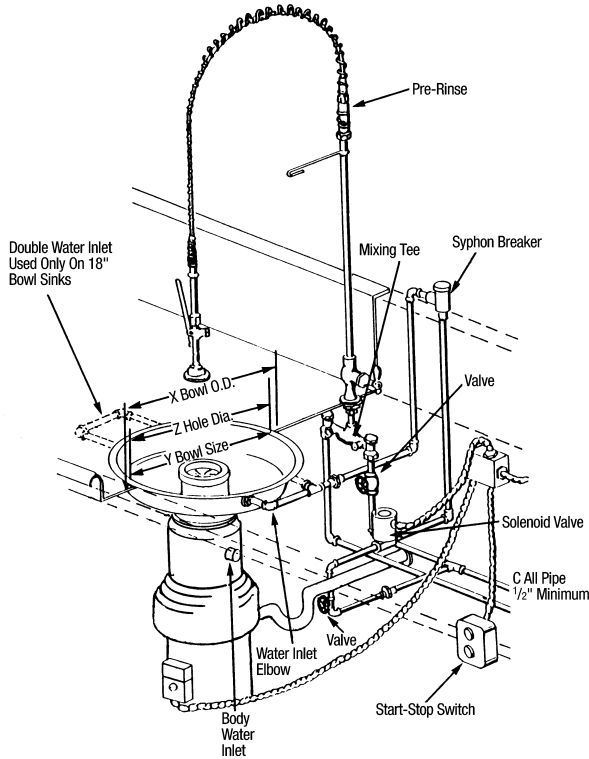
1 Mounting/Bowl Assembly, 1 Electrical Control, 1 Syphon Breaker, 1 Solenoid Valve, and 1 Flow Control Valve. The standard Flow Control Valve will be sent with the unit unless the optional valve is specified.

For additional information, see Commercial Product Information Binder.

IN-SINK-ERATOR
 DIVISION OF EMERSON ELECTRIC COMPANY
 4700 21st STREET
 RACINE, WI 53406 TEL: 414 554-5432 1-800-558-5712 FAX: 414 554-8917

RECOMMENDED INSTALLATION

SS-1000



IMPORTANT: Use dimension chart below for adaptor height in place of ISE bowl sink height when mounting directly to a sink.

DIMENSIONS

X — Flange O.D.

Y — Flange I.D.

Z — Diameter of Work Table Hole

BOWL SINKS	X	Y	Z	HEIGHT
12"	13 1/2"	12"	12 1/4"	6 1/2"
15"	16 1/2"	15"	15 1/4"	6 1/2"
18"	19 1/2"	18"	18 1/4"	6 1/2"
ADAPTORS	X	Y	Z	HEIGHT
No.6	7 13/16"	6 5/8"	6 7/8"	1 3/16"
No.7	9 1/8"	7 5/8"	7 7/8"	2 1/16"

10 H.P. COMMERCIAL DISPOSER

SAMPLE SPECIFICATION

ITEM NO. _____ DISPOSER

Quantity: One required (1)

Manufacturer: IN-SINK-ERATOR

Commercial Division, Racine, WI

Model: SS-1000-15B/CC101

Electrical Requirements: _____ volts/
_____ phase

Install in _____, Item _____.



IN-SINK-ERATOR
DIVISION OF EMERSON ELECTRIC COMPANY
4700 21st STREET
RACINE, WI 53406 TEL: 414 554-5432 1-800-558-5712 FAX: 414 554-8917